



Innotech Atira Internal Drawer Aluminium Front 144mm TECHNICAL SPECIFICATION

NEY Ltd (Head Office)
Stonebridge Trading Estate
Sibree Road
Coventry
CV3 4FD

t 024 7630 8100
f 024 7630 8101
e sales@ney.co.uk

NEY Ireland
Unit 22 Blaris Ind Estate
Altona Road
Lisburn
BT27 5QB

t 028 92 673 000
f 028 92 672 999
e ireland@ney.co.uk

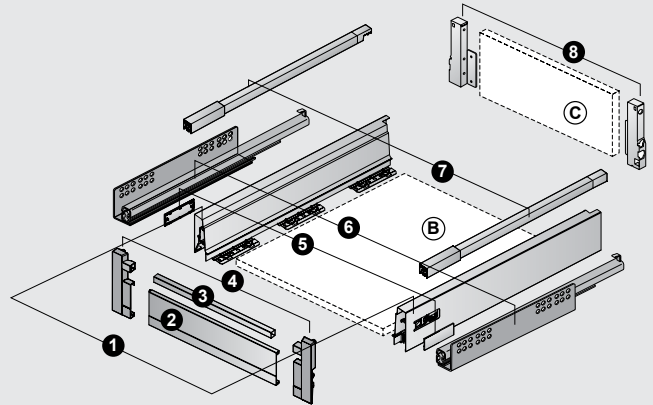
NEY Scotland
Block 2 Units 1-2-3
Bandeath Ind Est
Throsk, Stirling
FK7 7

t 01786 814 814
f 01786 814 812
e scotland@ney.co.uk



INNOTECH ATIRA DOUBLE-WALL DRAWER SETS - HEIGHT 144mm

INTERNAL DRAWER - Aluminium Front



INFORMATION

Set comprises of:

- ❶ Drawer side profile left & right
- ❺ Cover caps, 2 each
- ❻ Quadro drawer runner, left & right
- ❼ Railing, left & right
- ❽ Rear panel connector, left & right

Additional parts required:

- ❷ Front panel 2000mm
- ❸ Front railing 2000mm
- ❹ Front connectors

Not supplied:

- ⓑ Base panel
- ⓒ Back panel

144mm Set - Grey

Pack Qty: 1	
Depth	Item No.
260mm	278408
300mm	278409
350mm	278410
420mm	278411
470mm	278412
520mm	278413

Additional parts required:

- ❷ Front Panel: 2000mm

Pack Qty	Item No.
1	278392

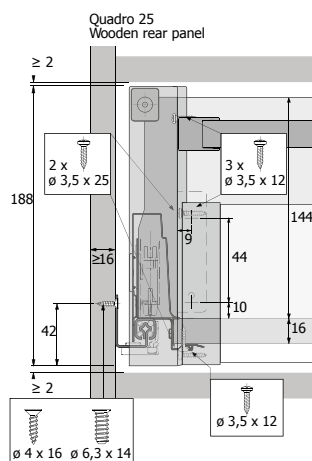
- ❸ Front railing

Pack Qty	Item No.
1	278393

- ❹ Front connectors

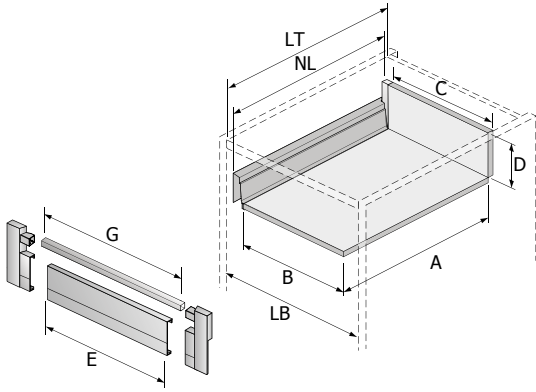
Pack Qty	Item No.
1 Set	278395

DIMENSIONS



TECHNICAL SPECIFICATION

DIMENSIONS FOR CUTTING TO SIZE



Dimension	Steel rear panel	Wooden rear panel	Aluminium rear panel
A	NL - 3	NL + 10	NL - 3
B	LB - 2 x EB - 51.5	LB - 2 x EB - 51.5	LB - 2 x EB - 51.5
C	-	LB - 2 x EB - 63	LB - 2 x EB - 63
D	-	144	-
E	LB - 2 x EB - 57.5	LB - 2 x EB - 57.5	LB - 2 x EB - 57.5
G	LB - 2 x EB - 90.5	LB - 2 x EB - 90.5	LB - 2 x EB - 90.5