



Innotech Atira Standard Drawer 70mm TECHNICAL SPECIFICATION

NEY Ltd (Head Office)

Stonebridge Trading Estate
Sibree Road
Coventry
CV3 4FD

t 024 7630 8100
f 024 7630 8101
e sales@ney.co.uk

NEY Ireland

Unit 22 Blaris Ind Estate
Altona Road
Lisburn
BT27 5QB

t 028 92 673 000
f 028 92 672 999
e ireland@ney.co.uk

NEY Scotland

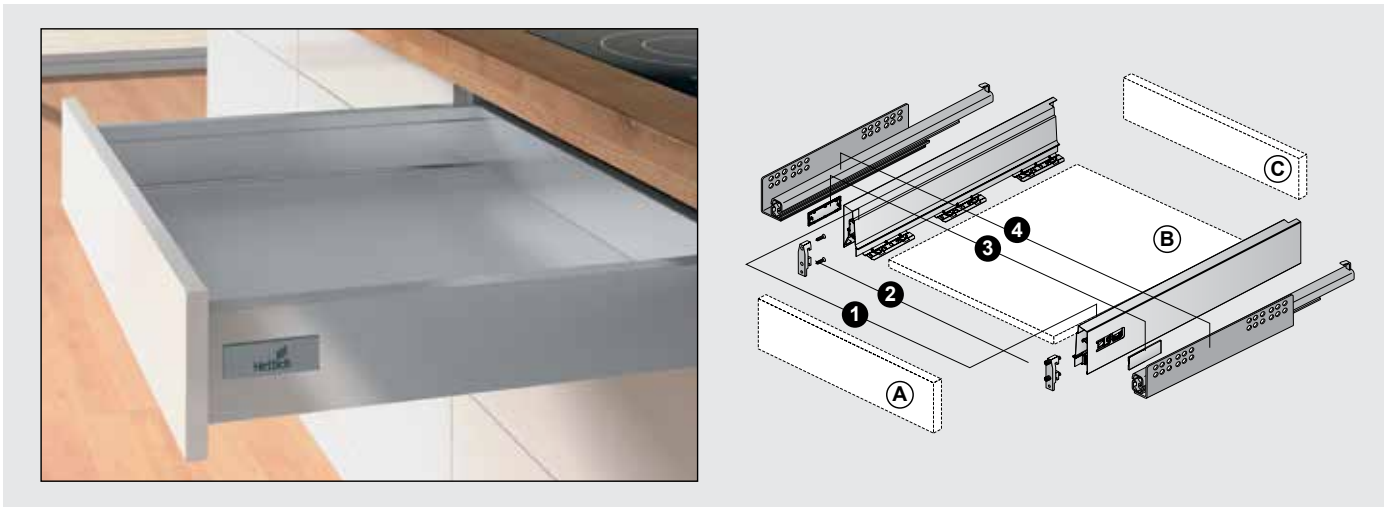
Block 2 Units 1-2-3
Bandeath Ind Est
Throsk, Stirling
FK7 7

t 01786 814 814
f 01786 814 812
e scotland@ney.co.uk



INNOTECH ATIRA DOUBLE-WALL DRAWER SETS - HEIGHT 70mm

DRAWER - Standard Drawer Front



INFORMATION

Set comprises of:

- ❶ Drawer side profile left & right
- ❷ Drawer front connector for side profile, 2 each
- ❸ Cover caps, 2 each
- ❹ Quadro drawer runner, left & right

Not supplied:

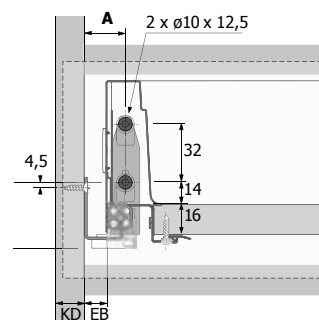
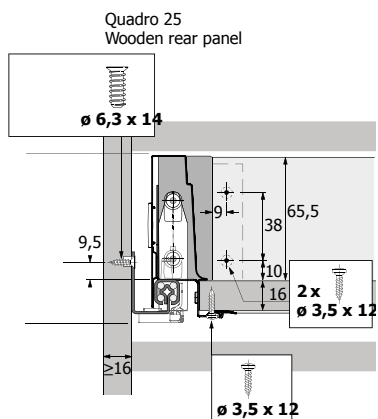
- Ⓐ Front panel
- Ⓑ Base panel
- Ⓒ Back panel

70mm Set - Grey

Pack Qty: 1

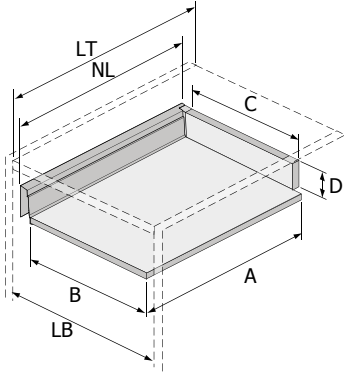
Depth	Item No.
260mm	278386
300mm	278387
350mm	278388
420mm	278389
470mm	278390
520mm	278391

DIMENSIONS



TECHNICAL SPECIFICATION

DIMENSIONS FOR CUTTING TO SIZE



Dimension	Steel rear panel	Wooden rear panel	Aluminium rear panel
A	NL - 3	NL + 10	NL - 3
B	LB - 2 x EB - 51.5	LB - 2 x EB - 51.5	LB - 2 x EB - 51.5
C	-	LB - 2 x EB - 63	LB - 2 x EB - 63
D	-	65.5	-