

NEY Product Information



Data Sheet

90° Short Blind Corner Hinge

Hinges & Lift Systems



NEY Ltd (Head Office)
Stonebridge Trading Estate
Sibree Road
Coventry
CV3 4FD

t 024 7630 8100
f 024 7630 8101
e sales@ney.co.uk

NEY Ireland
Unit 22 Blaris Ind Estate
Altona Road
Lisburn
BT27 5QB

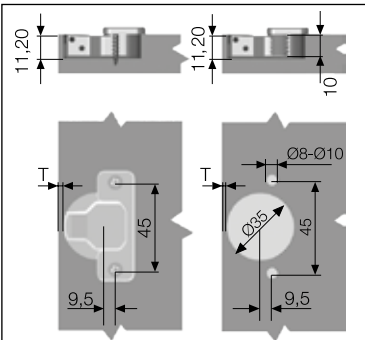
t 028 92 673 000
f 028 92 672 999
e ireland@ney.co.uk

NEY Scotland
Block 2 Units 1-2-3
Bandeath Ind Est
Throsk, Stirling
FK7 7NP

t 01786 814 814
f 01786 814 812
e scotland@ney.co.uk



- Opening angle 110°
- Cup diameter 35mm
- Cup depth 11.2mm
- Nickel Coating



SLIDE ON



OVERLAY

0mm

Pack Qty: 250

Item Number	Description
110821	No Screw

PUSH OPEN REVERSE SPRUNG

Pack Qty: 250

Item Number	Description
141118	No Screw

PUSH OPEN REVERSE SPRUNG

Pack Qty: 250

Item Number	Description
141119	No Screw

SLIDE ON - MOUNTING PLATE



MOUNTING PLATE

5mm

Pack Qty: 250

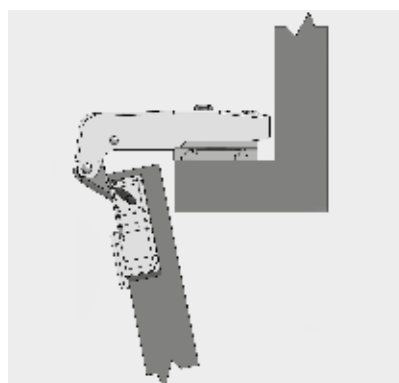
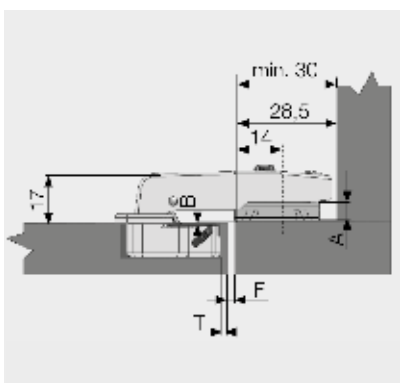
Item Number	Description
110850	No Screw

MOUNTING PLATE

7mm

Pack Qty: 250

Item Number	Description
110851	No Screw



Attaching hinge to plate



Lateral adjustment of door



A	B	T	F
5	2	5	1
5	2	4	2
7	0	5	1
7	0	4	2

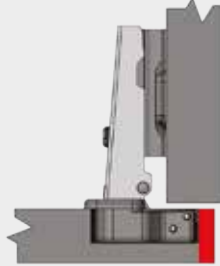
KEY: Used In Elite Hinge Formula Tables

Key

DOOR THICKNESS **K**



CUP DISTANCE **T**



FUGA **F**



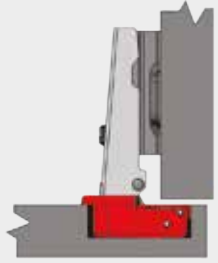
SIDE WALL THICKNESS **S**



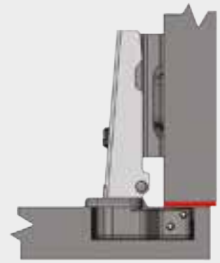
MOUNTING PLATE THICKNESS **A**



CUP DRILLING DIAMETER **D**



MINIMUM GAP **G**



OVERLAY **B**

