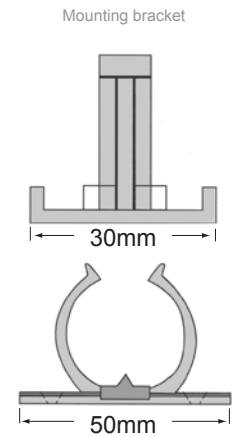
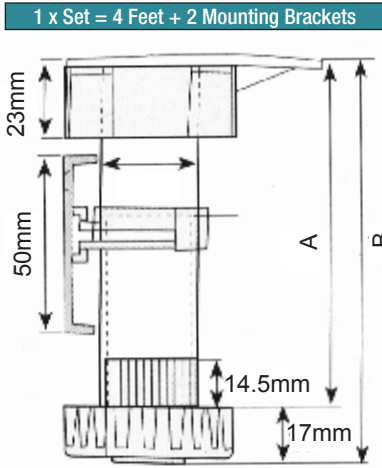
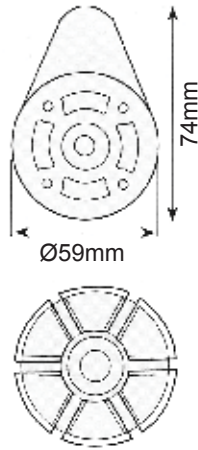


# Plinth feet

Standard and multi-functional

## Standard plinth feet

50 Sets/Box

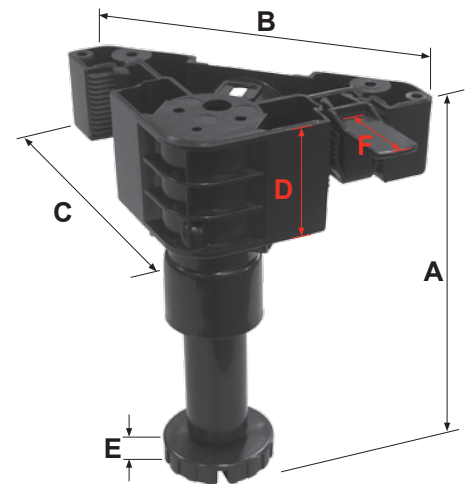
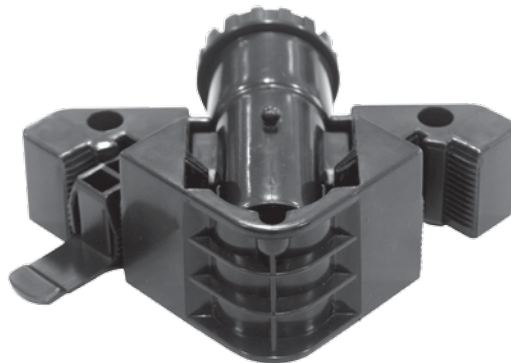


## Multi-functional plinth feet

50/Box

### Dimensions

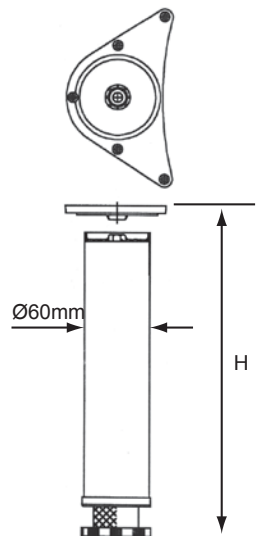
- A = 140mm - 175mm
- B = 136mm
- C = 95mm
- D = 43mm
- E = 10mm
- F = 25mm



## Table legs

Chrome plated:  
 Fixing bracket - powder coated

1 Set/Box



Up to 35mm adjustment!

