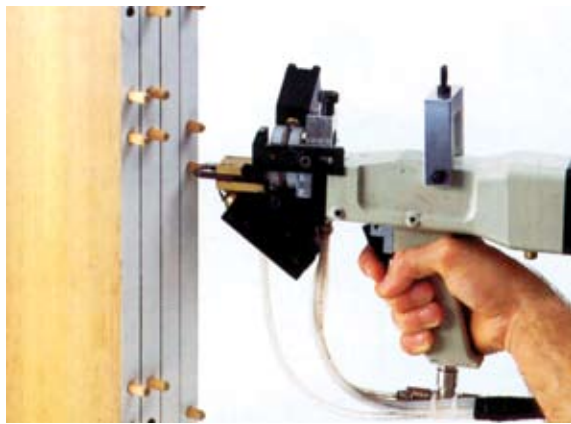


# Dowels and Biscuits

Ideal for use with NEY PVA adhesives

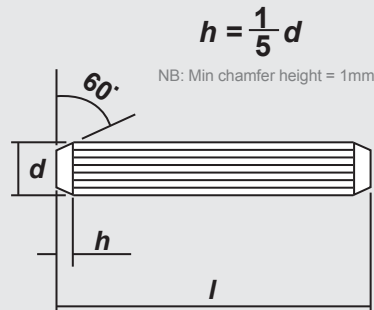
NEY stock a range of jointing products for most drilling and insertion solutions. These include Dowels, Biscuits and PVA adhesives (see page 35).

Our dowels and biscuits are manufactured from kiln dried beech to very exacting specifications. Dowels are fluted for ease of application and to give optimum adhesion properties. The biscuits are available in 0, 10 & 20 sizes.



## Dowel Specifications

Made to:	DIN 68150
Material:	White Beech
Moisture content:	10%
Shape:	DIN 68150
Diameter:	± 0.2mm
Length:	± 1mm
Use:	Ideal for automatic use

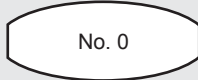


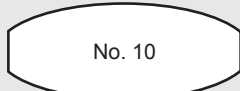
0.5kg Bag

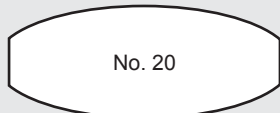


2kg Box

## Biscuit specifications and prices

No. 0		
Length:	47 - 49mm	
Width:	15mm	
Thickness:	4mm (+0.1/-0.3mm)	

No. 10		
Length:	53 - 55mm	
Width:	19mm	
Thickness:	4mm (+0.1/-0.3mm)	

No. 20		
Length:	56 - 58mm	
Width:	23mm	
Thickness:	4mm (+0.1/-0.3mm)	

